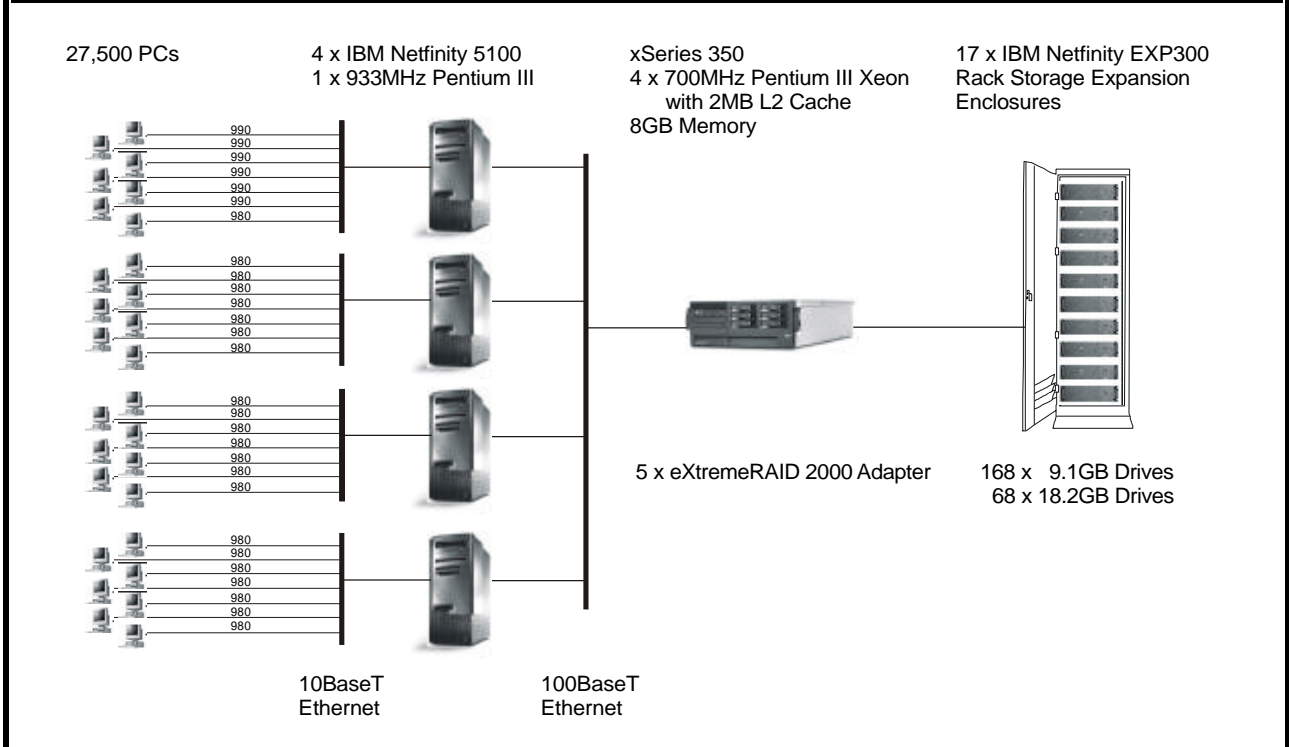


**IBM @server xSeries 350 c/s
with Microsoft SQL Server 2000**

TPC-C Rev 5.0
Upgrade from Rev. 3.5
Report Date: April 9, 2001
(Original: December 12, 2000)

Total System Cost		TPC-C Throughput	Price/Performance	Availability Date
\$276,075		34,264.90 tpmC	\$8.06 /tpmC	Dec. 11, 2000
Processors	Database Manager	Operating System	Other Software	Number of Users
4: Database 4: Client	Microsoft[®] SQL Server 2000 Enterprise Edition	Microsoft Windows[®] 2000 Advanced Server	Microsoft Visual C++ 6.0 Win32 Microsoft COM+	27,500



System Component	Qty	Server	Qty	Each of Four Clients
Processors	4	700MHz Pentium III	1	933MHz Pentium III
Cache		Xeon w/2MB L2 Cache		w/256KB L2 Cache
Memory	16	512MB	1	128MB
			1	256MB
Disk Controllers	5	Mylex eXtremeRAID 2000	1	Ultra160 SCSI Onboard
Disk Drives	168	9.1GB (15000 rpm)	1	9.1GB Hard Disk
	68	18.2GB (15000 rpm)		
	1	9.1GB (10000rpm)		
Total Storage		2775.5GB		
Tape Drive	1	20/40GB SCSI Tape Drive		

IBM Corporation	IBM @server xSeries 350 c/s with Microsoft SQL Server 2000			TPC-C Rev. 5.0 Upgrade from Rev. 3.5				
				Report Date: April 9, 2001 (Original: December 12, 2000)				
Description	Order Number	Third-Party Brand	Pricing	Unit Price	Qty	Ext. Price	3-Yr. Maint.*	
Server Hardware								
xSeries 350 / 700MHz/2MB Pentium III Xeon [†]	86825RY			1		\$5,369	\$2,495	
700MHz/2MB L2 Cache Processor Upgrade	00N7944			1	3	2,879	8,637	
512MB ECC SDRAM RDIMM Memory Kit	33L3117			1	15	749	11,235	
Netfinity 9.1GB 10K Ultra160 SCSI Drive	37L7204			1	1	275	275	
Mylex eXtremeRAID 2000 Adapter**	E2000-4-32NB	Mylex		3	7	1,872	13,104	
Netfinity 4.2M Ultra2 SCSI Cable	03K9311			1	18	105	1,890	
10/100 Ethernet Server Adapter	06P3601			1	1	99	99	
E54 14" (13.8" Viewable) Color Monitor*	6331N2N			1	1	159	159	
20/40GB Internal SCSI Tape Drive	00N7991			1	1	769	769	
Netfinity Rack*	9306900			1	2	1,725	3,450	
Side Panel Kit	94G6669			1	1	195	195	
Storage Hardware								
Netfinity EXP300 Rack Storage Enclosure*	35311RU			1	17	3,179	54,043	
9.1GB 15K Ultra160 SCSI Drive	19K0655			1	168	405	68,040	
18.2GB 15K Ultra160 SCSI Drive	19K0656			1	68	549	37,332	
						Subtotal	\$204,597	\$6,585
Server Software								
Microsoft SQL Server 2000 Enterprise Edition	810-00846	Microsoft		2	4	16,541	\$66,164	
Microsoft Windows 2000 Advanced Server	C10-00475	Microsoft		2	1	2,399	2,399	
Three-Year Maintenance for Software		Microsoft		2	3	2,095	6,285	
						Subtotal	\$68,563	\$6,285
Client Hardware								
Netfinity 5100 / 933MHz/256KB Pentium III*	865851Y			1	4	1,719	\$6,876	
9.1GB 10K Ultra160 SCSI Drive	37L7204			1	4	275	1,100	
256MB 133MHz ECC SDRAM RDIMM	33L3125			1	4	269	1,076	
10/100 Ethernet Server Adapter	06P3601			1	4	99	396	
E54 15" (13.8" Viewable) Color Monitor*	6331N2N			1	4	159	636	
						Subtotal	\$10,084	\$6,340
Client Software								
Microsoft Windows 2000 Server with COM+	C11-00821	Microsoft		2	4	738	2,952	
Microsoft Visual C++ Professional 6.0 Win32	048-00317	Microsoft		2	1	549	549	
						Subtotal	\$3,501	\$0
User Connectivity								
8-Port 10/100Mbps Nway Fast Ethernet Switch***	NX-DSS8			4	7	25	175	
						Subtotal	\$175	\$0
						Total	\$286,920	\$19,210
Large volume discount of 14% on IBM hardware; prices vary if purchased separately.				1		-14%	(30,055)	\$0
Notes: * The standard 3-year warranties on IBM hardware has been upgraded to 7x24, 4-hour response time coverage. ** Five-year warranty. *** 10% or minimum 2 spares are added in place of on-site service (products have a 5-year return-to-vendor-warranty) Pricing: 1 - IBM Corp.; 2 - Microsoft Corp.; 3 - Mylex ; 4 - Software House International. Audited by Bradley J. Askins of InfoSizing, Inc.				Three-Year Cost of Ownership:				\$276,075
				tpmC Rating:				34,264.90
				\$ / tpmC:				\$8.06
Prices used in TPC benchmarks reflect the actual prices a customer would pay for a one-time purchase of the stated components. Individually negotiated discounts are not permitted. Special prices based on assumptions about past or future purchases are not permitted. All discounts reflect standard pricing policies for the listed components. For complete details, see the pricing sections of the TPC benchmark specification. If you find that stated prices are not available according to these terms, please inform the TPC at pricing@tpc.org. Thank you.								

Numerical Quantities Summary			
MQTh, Computed Maximum Qualified Throughput: % throughput difference, reported and reproducibility runs:			34,264.90 tpmC 0.064%
Response Times (in seconds)	Average	Maximum	90 %-tile
New-Order	0.47	21.29	0.82
Payment	0.40	27.84	0.75
Delivery	0.13	7.21	0.16
Stock Level	1.20	11.88	1.75
Order Status	0.41	6.04	0.75
Delivery (Deferred)	0.21	0.89	0.35
Menu	0.13	13.46	0.17
Transaction Mix (in percent of total transactions)		Total Occurrences	Percent
New-Order		685,298	44.89
Payment		656,525	43.01
Delivery		61,504	4.03
Stock-Level		61,582	4.03
Order Status		61,643	4.04
Emulation Delay (in seconds)		Response Time	Menu
New-Order		0.1	0.1
Payment		0.1	0.1
Delivery		0.1	0.1
Stock-Level		0.1	0.1
Order Status		0.1	0.1
Keying/Think Times (in seconds)	Average	Minimum	Maximum
New Order	18.01 / 12.05	18.00 / 0.00	18.03 / 120.51
Payment	3.02 / 12.04	3.00 / 0.00	3.03 / 120.50
Delivery	2.01 / 5.06	2.00 / 0.00	2.03 / 50.50
Stock Level	2.01 / 5.03	2.00 / 0.00	2.03 / 48.61
Order Status	2.02 / 10.06	2.00 / 0.00	2.03 / 100.50
Test Duration			
Ramp-up time			21 minutes
Measurement interval			20 minutes
Number of transactions (all types) completed in measurement interval			1,588,062
Ramp-down time			22 minutes
Number of checkpoints in measurement interval			1
Checkpoint interval			20 minutes